

CM7000/7500

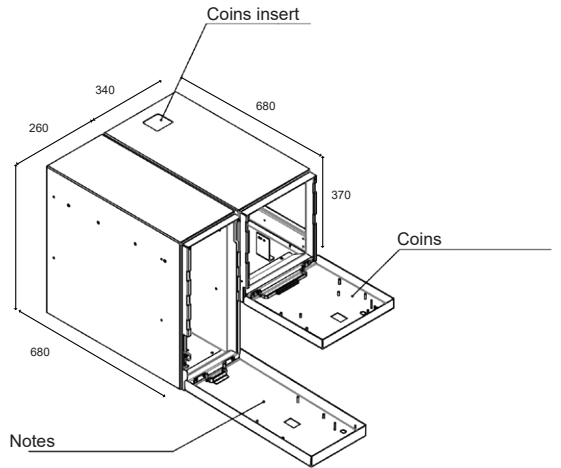
CASH MANAGER



CM7000/7500 CASH MANAGER

Our offering is evolving and enriching, discover our range of cash payment automation connected. Equipped with the OXHOO Link system, the CM7000 is compatible with all software without development. Secure your financial flows, and optimize your productivity!

Discover CM7000 / 7500 our cash manager system that makes money automatically. It consists of two steel modules that integrate directly into your furniture and connected to the point of sale terminal. CM7000 has two major assets that revolutionize the world of cash manager : an opening hostess side that enhances security and comfort and a seamless and fast compatibility with all software! OXHOO Link, the recognition system of the CM7000 allows you to install it with the software of your choice in record time. There is no software development to perform, CM7000 gives you total freedom. Its 7500 version allows you to recycle up to 4 note values. Do not waste your time, optimize your productivity!



Simple & Fast

No software development required

Security

Securing financial flows

Hygienic

No physical contact with cash

Autonomy

Render of optimized currency

Profitability

Automatic cash register management

Coins module



Notes module



CM7000 2 notes
CM7500 4 notes

OPTIONS

OPTIONAL FURNITURE

UNIVERSAL INTERFACE



OXHOO Link, the recognition system of the CM7000 allows you to install it with the software of your choice in record time. There is no software development to perform, CM7000 gives you total freedom. Its 7500 version allows you to recycle up to 4 note values. Do not waste your time, optimize your productivity!

In option

INSTALLATION - TRAINING - MAINTENANCE

Commissioning- Training up to 6 hours.

Second machine installation

Maintenance - D+1 Maintenance Contract for 24 months

3rd and 4th year monthly package

On-site intervention outside maintenance contract

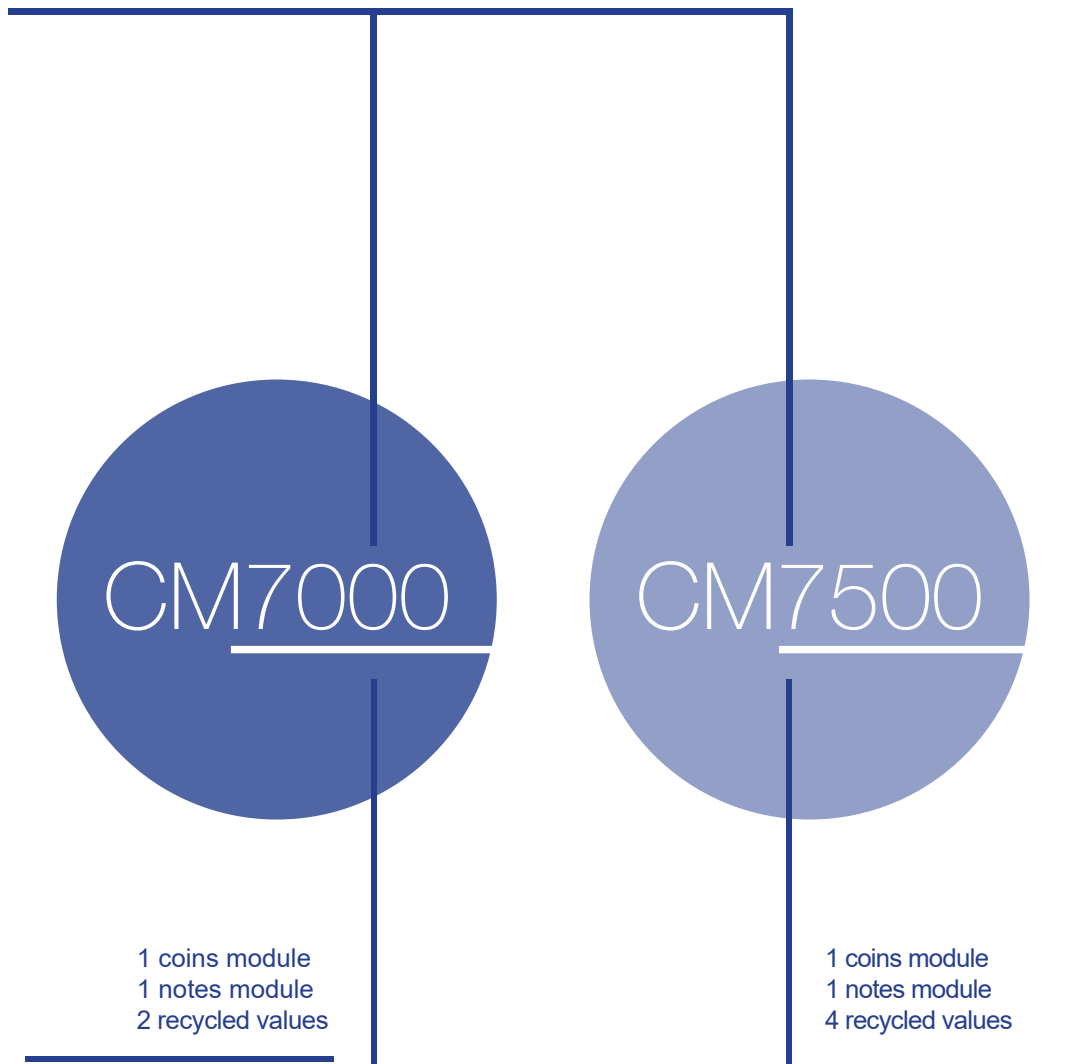
First year- Travel + MO + Parts (except deterioration)

Additional Years - Travel + MO (excluding spare parts)

SPECIFICATIONS

SPECIFICATIONS	Model	CM7000	CM7500
	module access	Back	Back
	Coins module	1	1
	Notes module	1 (2 recycled values)	1 (4 recycled values)
	Lock system	Secured to 3 points	Secured to 3 points
	Lock	2-key lock	2-key lock
	Weight modules	100kg	100kg
	Rear clearance of the furniture	85cm minimum	85cm minimum
COINS MODULE			
	Denominations	0.01, 0.02, 0.05, 0.1, 0.2, 0.5, 1 et 2	0.01, 0.02, 0.05, 0.1, 0.2, 0.5, 1 et 2
	Capacity	50 coins	50 coins
	Coins speed	10 coins/s	10 coins/s
	Notes speed	6 coins/s	6 coins/s
	Storage	335 coins of 1€ max	335 coins of 1€ max
	Connexion	USB	USB
	Dimension	680 x 340 x 370mm	680 x 340 x 370mm
NOTES MODULE			
	Denominations	5, 10, 20, 50, 100, 200 et 500	5, 10, 20, 50, 100, 200 et 500
	Coins speed	2,3 notes/s	2,3 notes/s
	Notes speed	1,4 notes/s	1,4 notes/s
	Storage	Cash box 600 notes	Cash box 600 notes
	Connexion	COM RS232	USB
	Dimensions	680 x 260 x 600mm	680 x 260 x 600mm
POWER SUPPLY			
	Power	220V-240V / 16A	220V-240V / 16A
OS			
	Os compatibles	All	All

CASH MANAGER



Maximum capacity of coins:

> 0.01€	= 810 whether	8.10€
> 0.02€	= 700 whether	14.00€
> 0.05€	= 475 whether	23.75€
> 0.10€	= 550 whether	55.00€
> 0.20€	= 355 whether	71.00€
> 0.50€	= 245 whether	122.50€
> 1€	= 300 whether	300.00€
> 2€	= 225 whether	450.00€

A total: 1 044.35€

Maximum capacity of the module notes 2 values:
60 by recyclers
600 in the cashbox

Maximum capacity of coins:

> 0.01€	= 810 whether	8.10€
> 0.02€	= 700 whether	14.00€
> 0.05€	= 475 whether	23.75€
> 0.10€	= 550 whether	55.00€
> 0.20€	= 355 whether	71.00€
> 0.50€	= 245 whether	122.50€
> 1€	= 300 whether	300.00€
> 2€	= 225 whether	450.00€

A total: 1 044.35€

Maximum capacity of the 4values ticket module:
2 Recyclers of 30 tickets (20 € & 50 €)
2 Recyclers of 60 tickets (5 € & 10 €)

A total of up to 3,000€

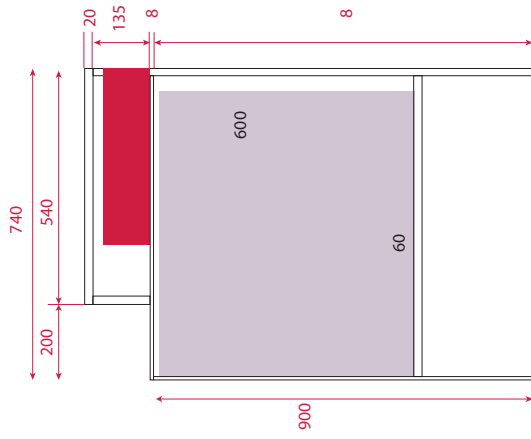
PRÉ-REQUIS D'INTÉGRATION

Épaisseur façade entre 8mm maximum

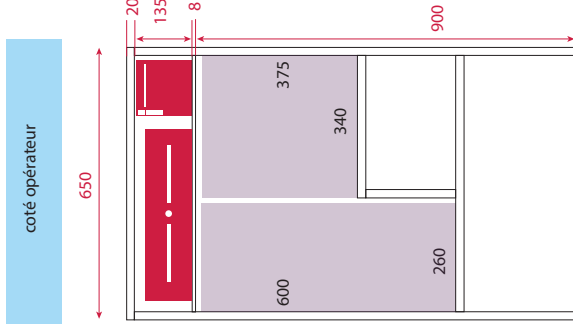
Épaisseur plateau entre 5 et 20mm

Possibilité d'utiliser pour l'insert des pièces, des passes câbles de bureau de diamètre 60mm.

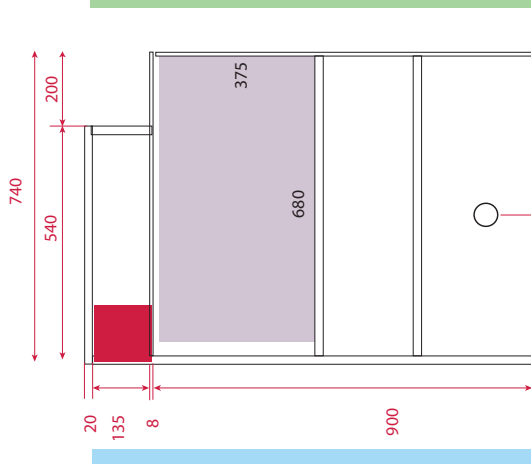
Vue latérale



Vue de face

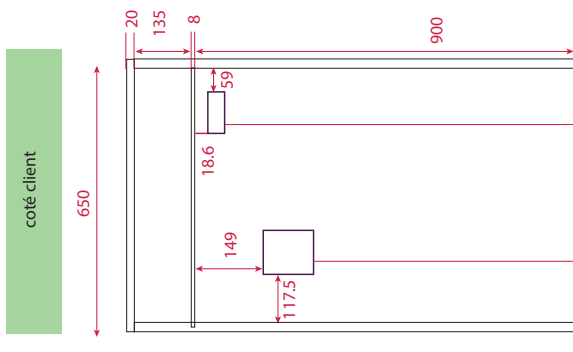


Vue latérale

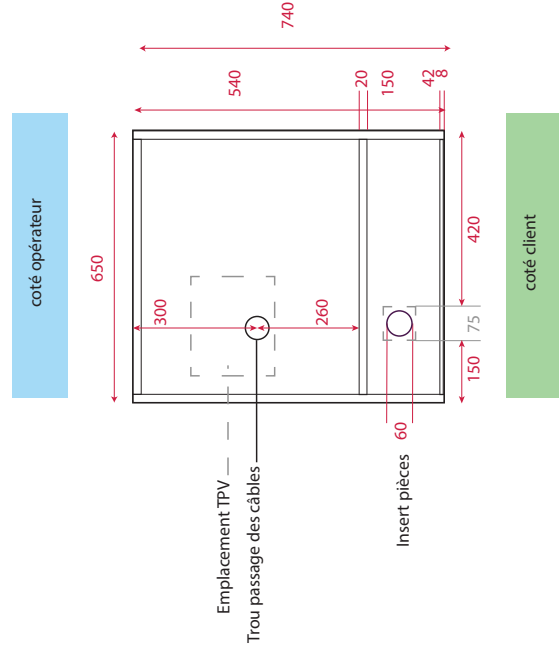


Trou passage des câbles

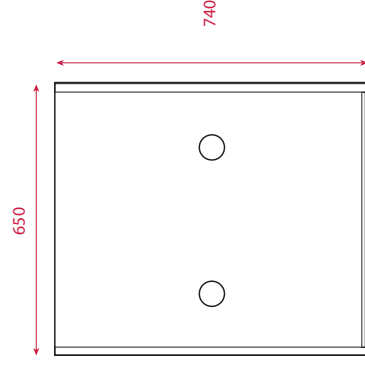
Vue de face



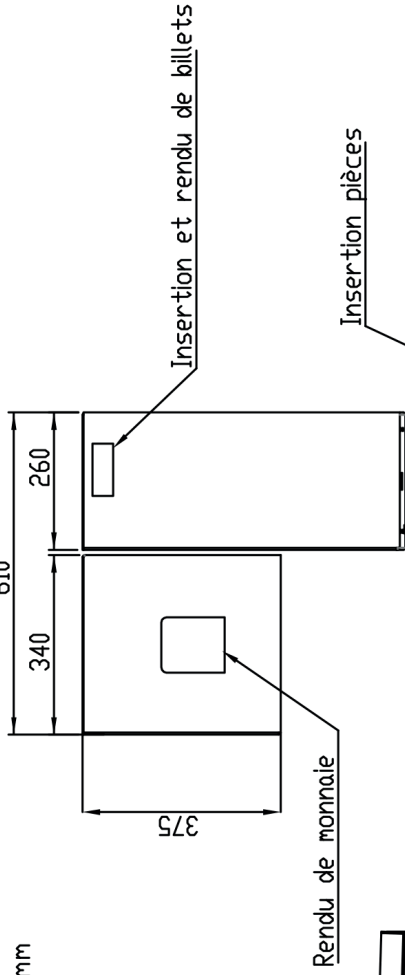
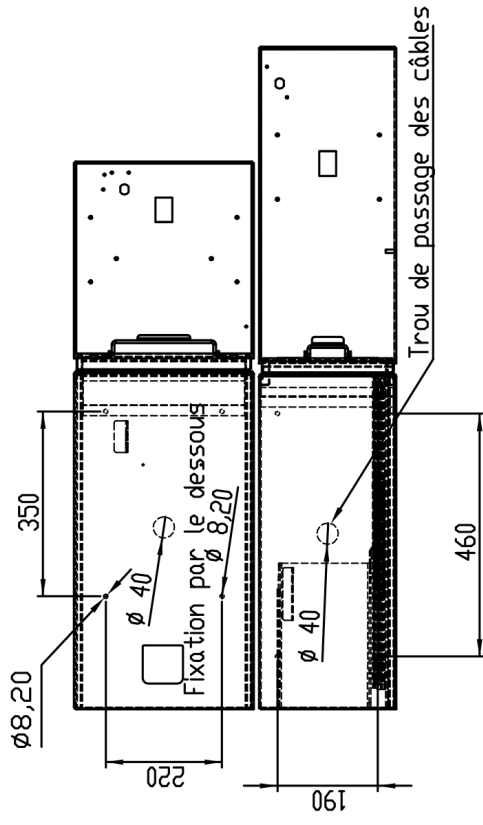
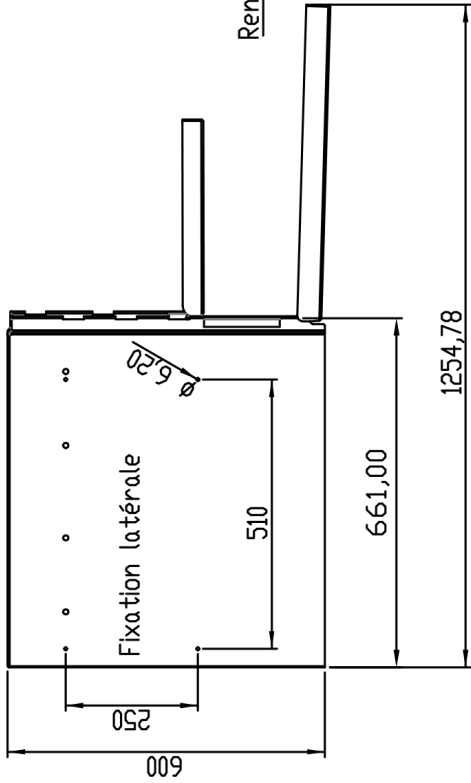
Vue du dessus



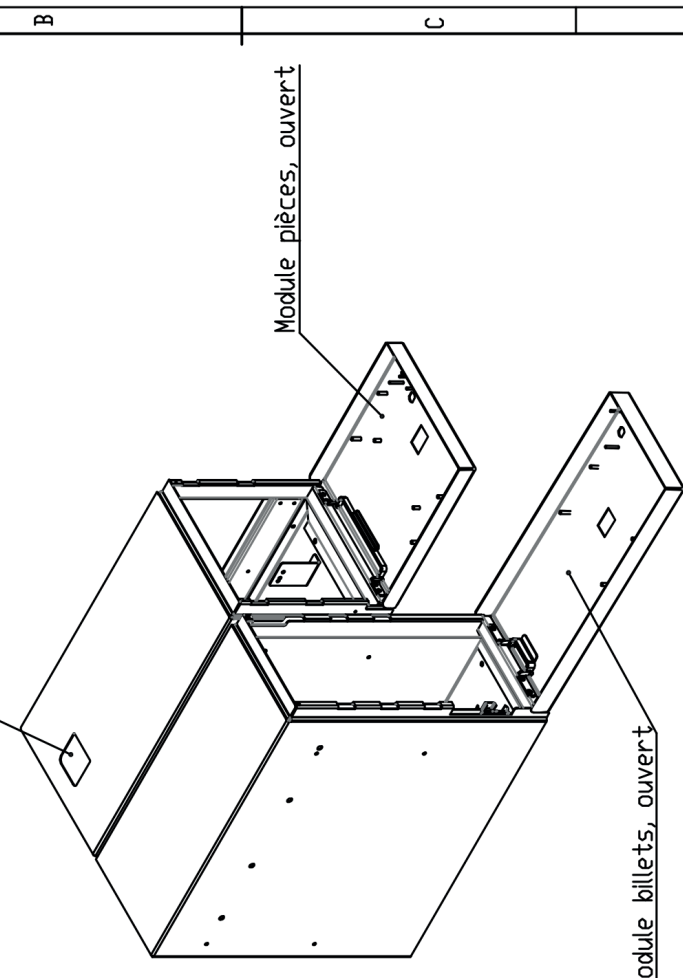
Vue du dessous



Profondeur coffres (porte fermée) = 680 mm



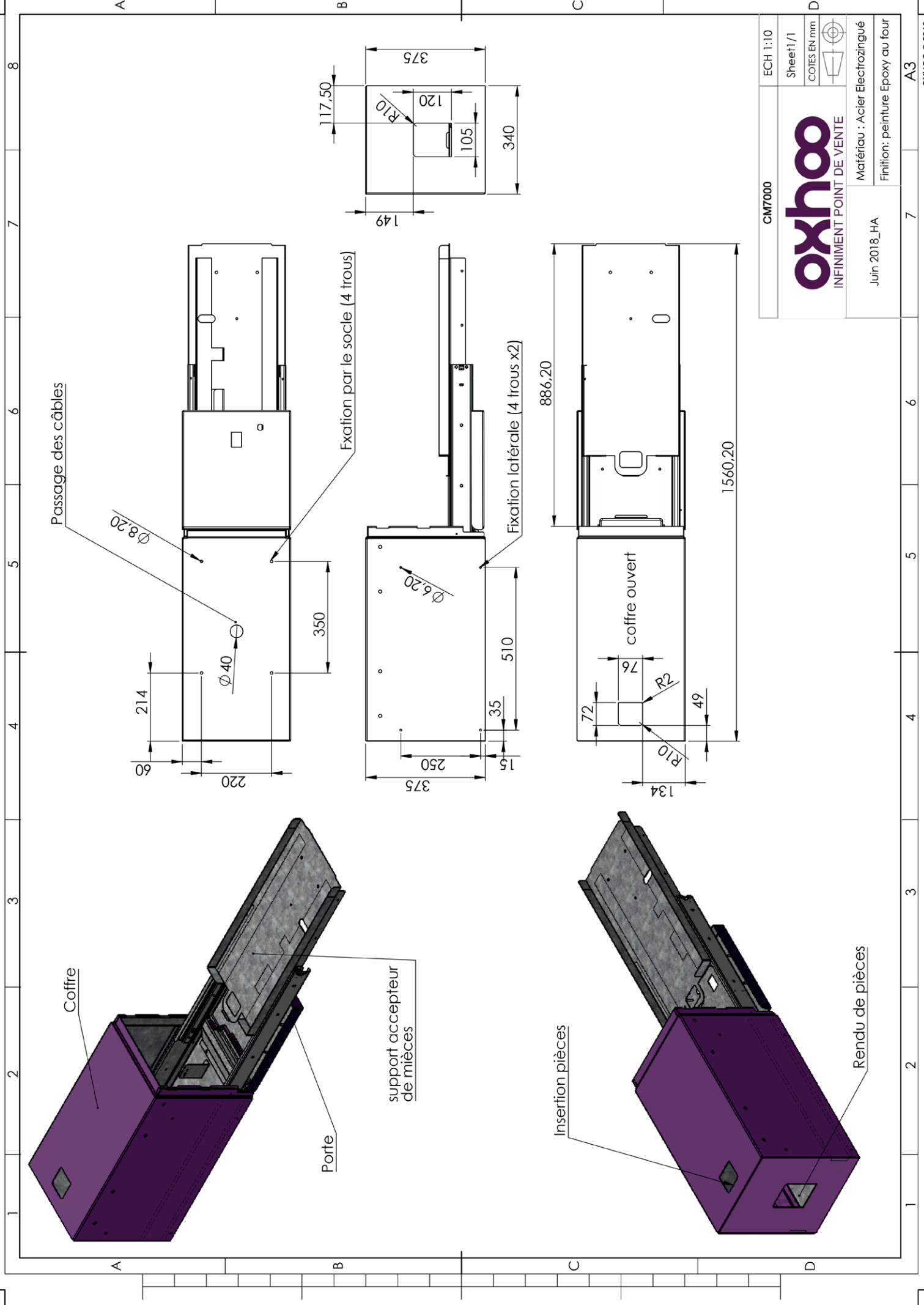
Insertion pièces



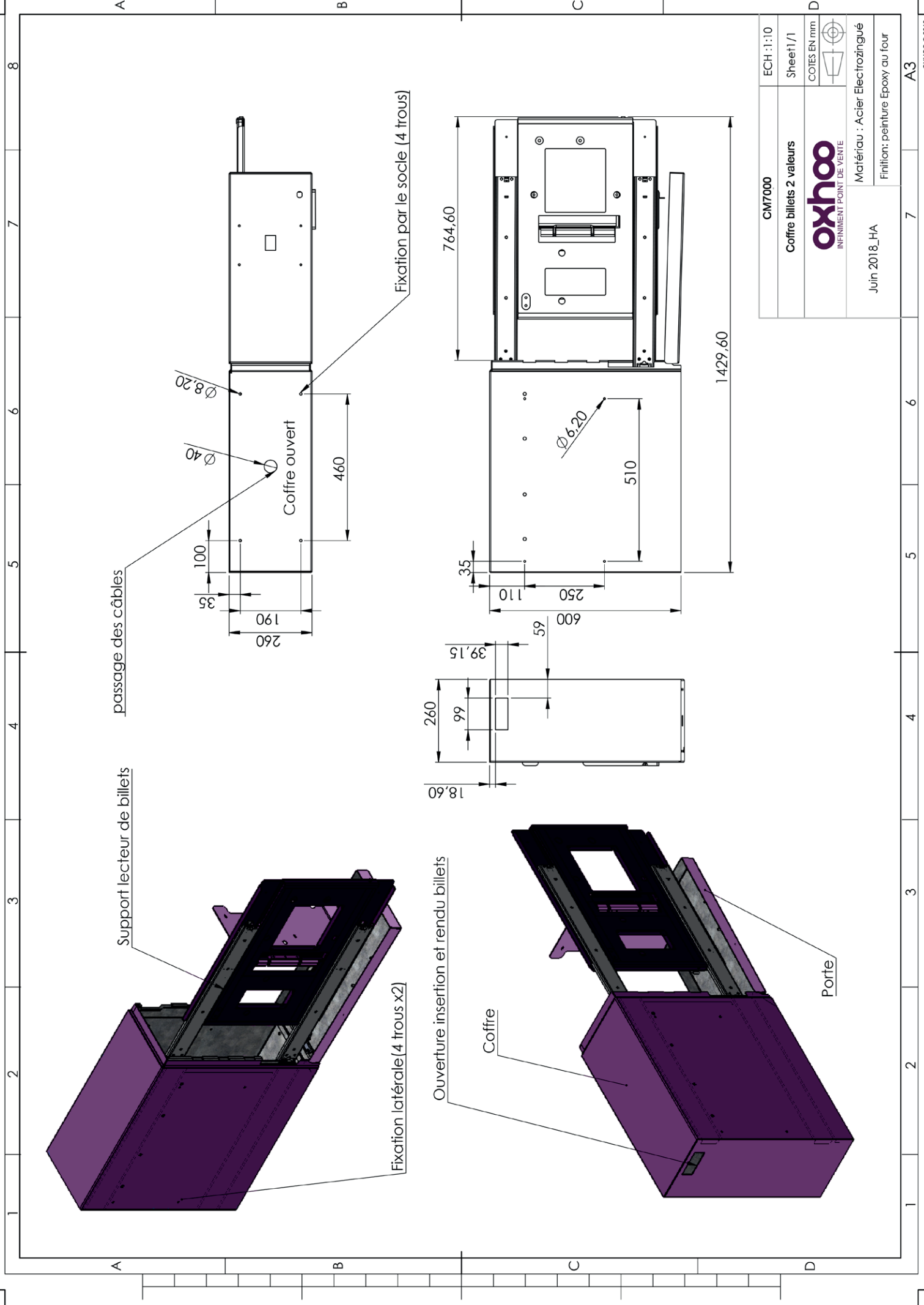
DESIGNATION : plan CM7000	ECH : 1:10	CODES EN mm	
	Avril 2018_HA		
Etat du Document Pour: Agenceur	CODE PROJET :		
	CM7000		



NB: Laisser un espace de 85 cm derrière les modules pièces et billets (portes fermées) pour l'extraction des 2 modules (maintenance, exploitation...)



CM7000 INFINIMENT POINT DE VENTE	ECH 1:10	 D
	Sheet1/1	
	COTES EN mm	
Juin 2018_HA	Matériau : Acier Electrozingué Finition : peinture Epoxy au four	A3



Support lecteur de billets

passage des câbles

Coffre ouvert



Fixation latérale (4 trous x2)

Ouverture insertion et rendu billets

Coffre

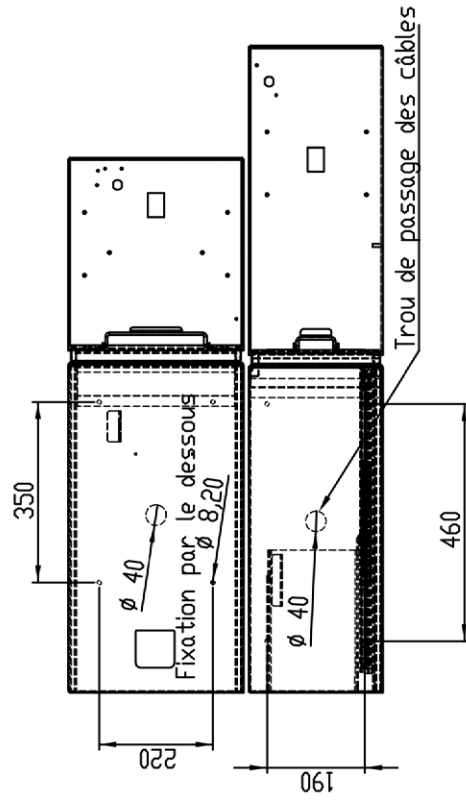
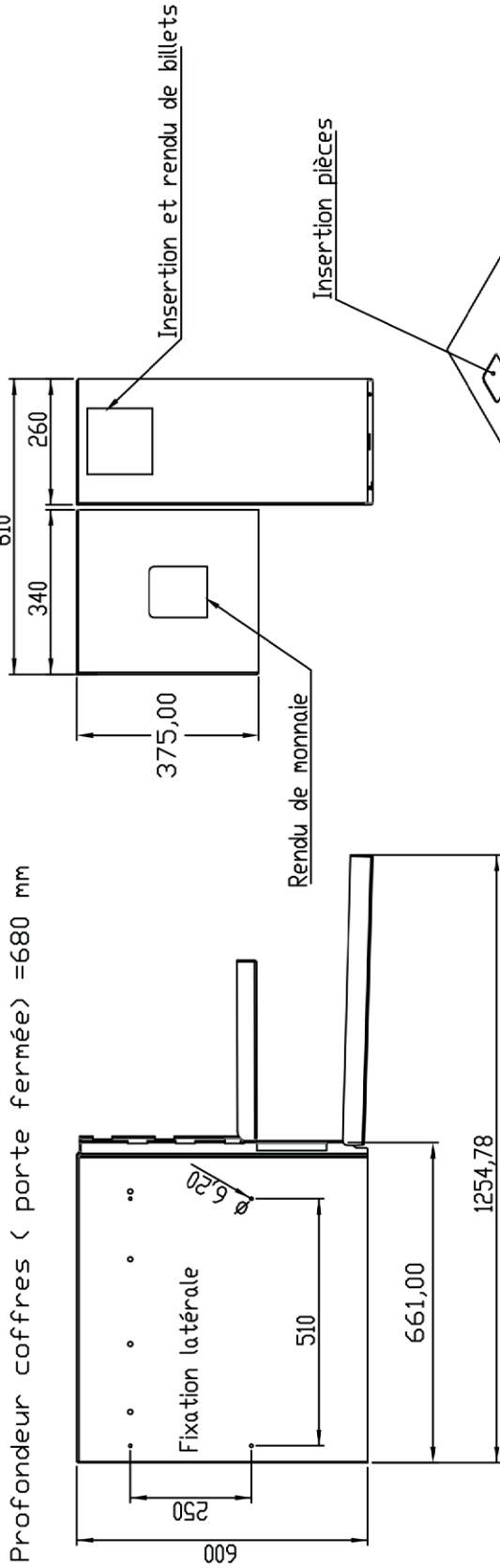
Porte

Fixation par le socle (4 trous)

CM7000	ECH : 1:10
Coffre billets 2 valeurs	Sheet 1/1
 <small>INFINIMENT POINT DE VENTE</small>	 <small>COTES EN mm</small>
	<small>Matériau : Acier Electrozingué</small> <small>Finition: peinture Epoxy au four</small>
Jun 2018_HA	

CM7500

Profondeur coffres (porte fermée) =680 mm



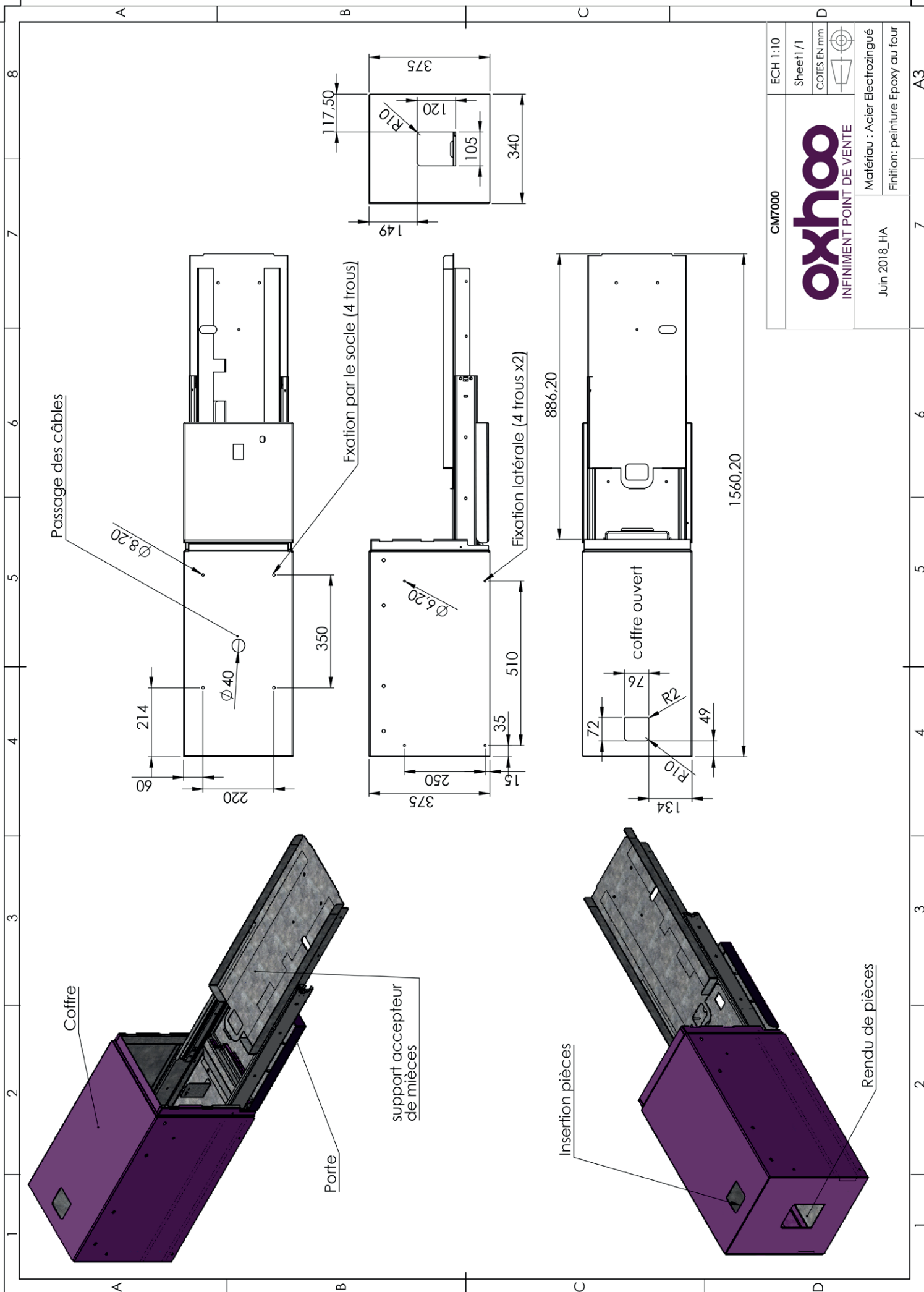
Insertion pièces

Module pièces, ouvert

Module billets, ouvert

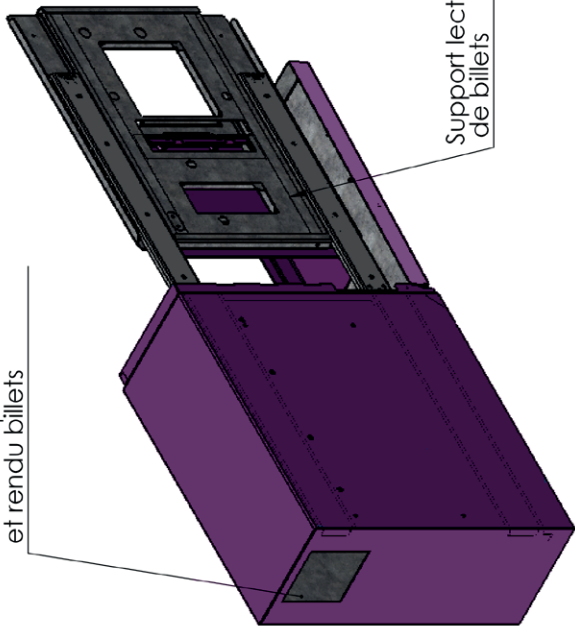
PLAN CM7500		ECH :i:10	A3
Etat du Document Pour Agenceur		Avril 2018_HA	7
CODE PROJET :		DOTES EN mm	6
INFINIMENT POINT DE VENTE			5
Monnayeur 5D sans meuble			4
			3
			2
			1

NB: Laisser un espace de 85 cm derrière les modules pièces et billets (portes fermées) pour l'extraction des 2 modules (maintenance, exploitation,...)

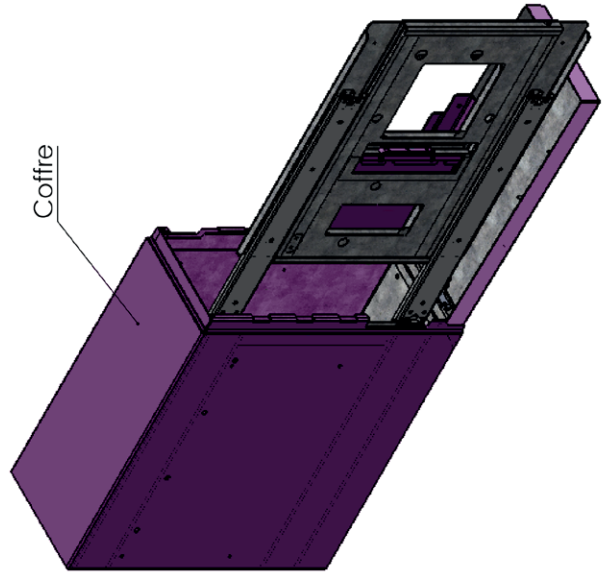
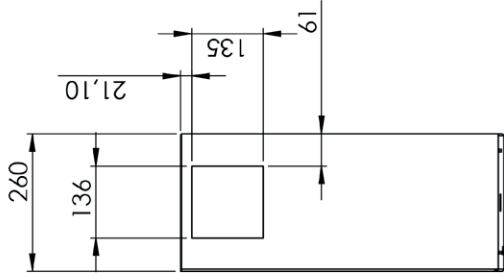


CM7000	ECH 1:10		Matériau : Acier Electrozingué Finition: peinture Epoxy au four
	Sheet1/1		
COTES EN mm		INFINIMENT POINT DE VENTE	
		A3	

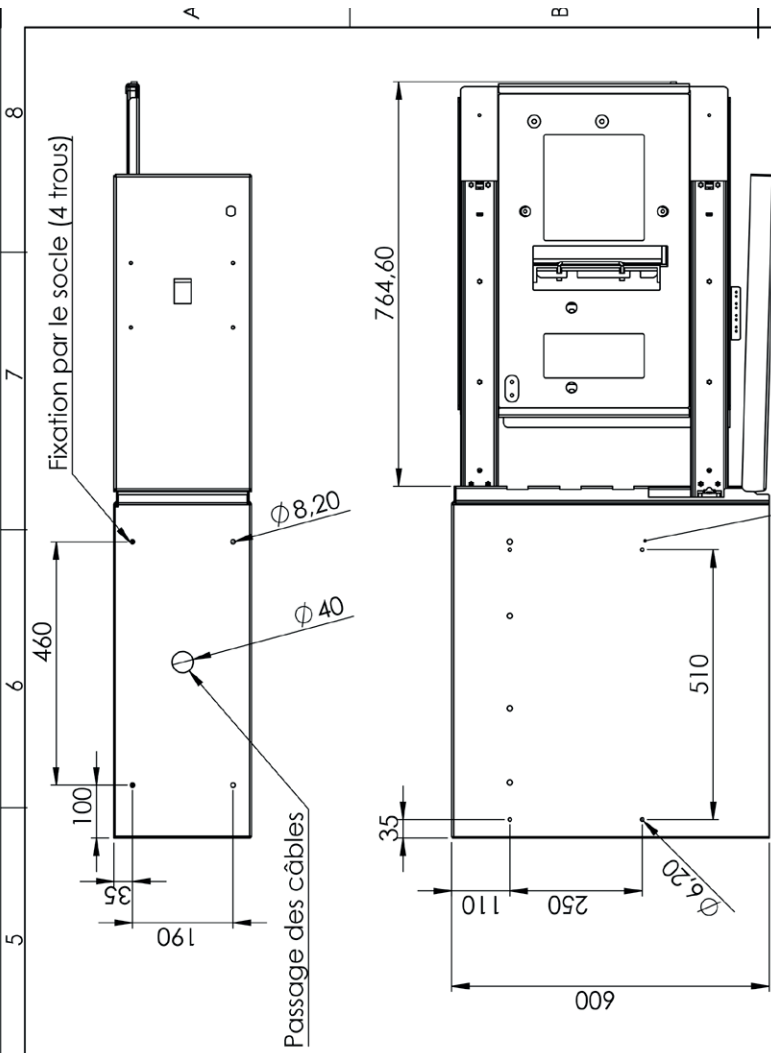
Ouverture pour insertion et rendu billets



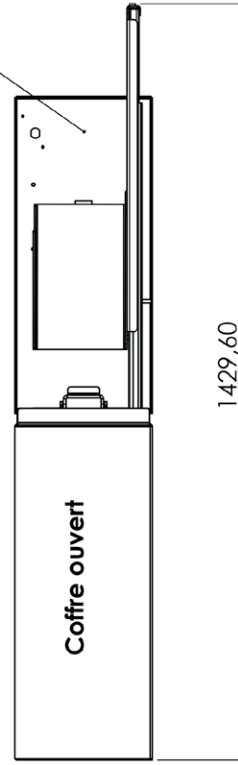
Support lecteur de billets



Coffre



Porte



CM7500	ECH : 1:10
Coffre billets 4 valeurs	Sheet 1/1
oxhoo INFINIMENT POINT DE VENTE	COTES EN mm
Jun 2018_HA	Matériau : Acier Electrozingué
	Finition: Peinture Epoxy au four

