

16:9
WIDESCREEN

CAPACITIVE
MULTI-TOUCH

intel

MICROSOFT

FANLESS

WEBCAM

SSD

IP65



PANEL PC KP15"

15.6" True-Flat PCAP Touch
Intel Skylake
Front IP65
FANLESS

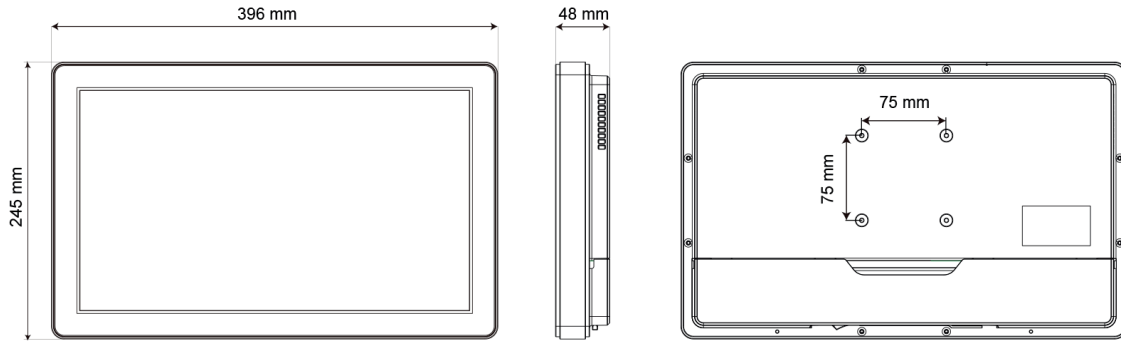
PANEL PC KP15''



Black



White



MOTHERBOARD

Model	KP15 i3
Processor	Intel Skylake U CPU i3-6100U
Chipset	CPU Integrated
System Memory	DDR3L 1600MHz (max. 8Go)
Memory Socket	1x SO-DIMM 4Go
Graphic Engine	Intel HD Graphic
Webcam integrated	2MP

LCD TOUCH PANEL

LCD Size	15.6" (16:9 ratio)
Brightness	220 nits
Resolution	1366 x 768
Touch Screen	True-Flat PCAP Touch

STORAGE DEVICE

SSD	60Go
-----	------

EXPANSION

Mini PCI-E Socket	1
-------------------	---

EXTERNAL I/O PORTS

USB	4x USB3.0, 2x USB2.0
Serial Port	4x RJ48
LAN	2x RJ45
Audio Jack	1x Line-out, 1x Mic-in
VGA	1x DB15

AUDIO

Speakers	2x 2W
----------	-------

POWER

Power Adapter	65W / 19V
---------------	-----------

PERIPHERAL (OPTION)

WiFi + BT	802.11 b/g/n WLAN card + BT 4.0 (either 2nd LAN or WiFi + BT)
-----------	---

CERTIFICATE

Certifications	FCC Class A, CE Mark, LVD
----------------	---------------------------

ENVIRONMENT

Ventilation	Fanless
Dust & Water Proof	IP65 in front
Operating Temperature	0°C ~ 35°C
Storage Temperature	-20°C ~ 60°C
Humidity	20% ~ 85% RH non-condensing

DIMENSIONS

	396 x 48 x 245 mm
--	-------------------

WEIGHT

	4.5 kg
--	--------

MOUNTING

	75 x 75
--	---------

OS SUPPORTED

	Windows 7 (32/64bit), POSReady 7 (32/64bit), Windows 10 VALUE (32/64bit), Linux
--	---

Specifications are subject to change without notice. © OXHOO 2018

